

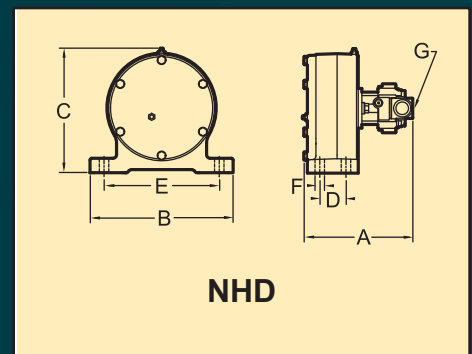
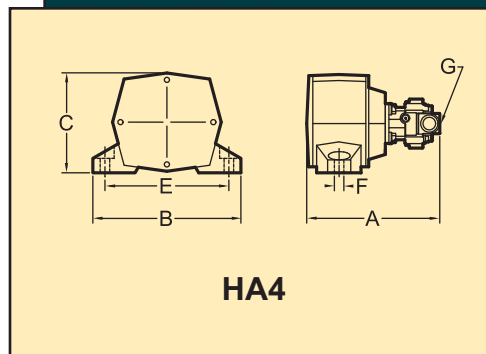
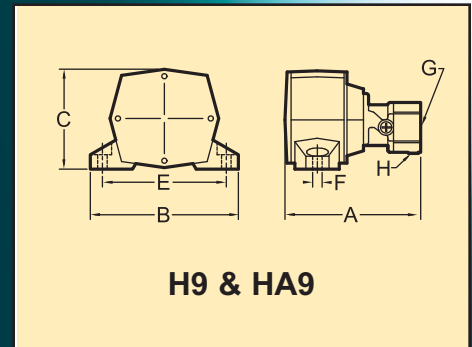
Hydraulic Vibrators

COUGAR

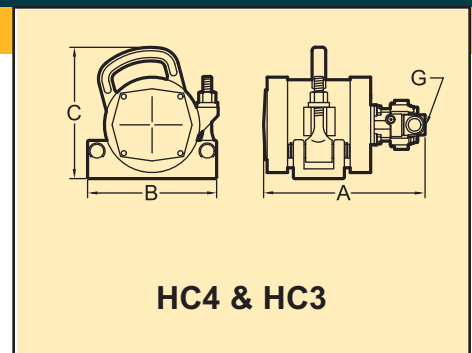
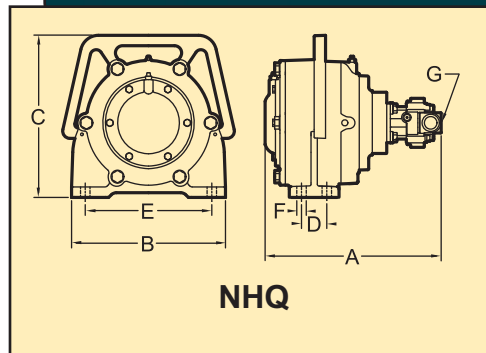


DIMENSIONS (Millimeter)

Model	A	B	C	Bolt Pattern		Bolt Size	Port NPT	Case Drain	Weight kg
				D	E	F	G	H	
H9-500	159	171	117	--	140	9	3/8	7/16 - 20 SAE	5.00
HA9-1600	248	187	117	--	152	12	3/8	7/16 - 20 SAE	9.10
HA4-3300	283	254	168	--	203	16	3/4 - 16 SAE	--	17.70
NHD-110	191	254	221	51	203	16	3/4 - 16 SAE	--	17.10
NHQ-170	310	271	286	51	203	16	3/4 - 16 SAE	--	31.60
NHQ-175	310	271	286	51	203	16	3/4 - 16 SAE	--	34.00
HC4-3000	291	241	262	--	--	--	3/4 - 16 SAE	--	19.10
HC3-3500	291	241	262	--	--	--	3/4 - 16 SAE	--	20.40
HL4-3000	291	213	267	32	159	--	3/4 - 16 SAE	--	23.60
HL3-3500	291	213	267	32	159	--	3/4 - 16 SAE	--	26.30

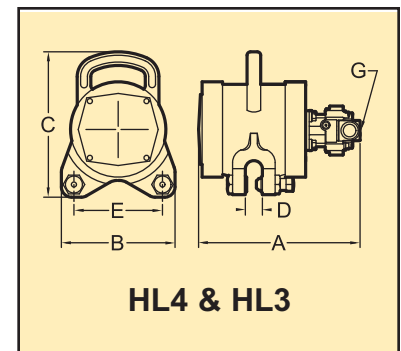


For the mounting and operation instructions on Hydraulic Vibrators see our form 703



PERFORMANCE DATA

Model	kg cm	Force			Force			Force			MAX Bar
		VPM	(N)	Ltr.Min	VPM	(N)	Ltr.Min	VPM	(N)	Ltr.Min	
H9-500	0.30	4000	445	11	6000	1001	16	9000	2251	24	103.40
HA9-1600	0.80	4000	1395	11	6000	3138	16	9000	7061	24	103.40
HA4-3300	6.60	2000	2880	12	3000	6481	18	4500	14582	27	137.90
NHD-110	6.90	2000	3032	8	3000	6822	10	4000	12128	13	137.90
NHQ-170	14.40	2000	6316	15	3000	14212	21	4000	25266	26	137.90
NHQ-175	28.80	2000	12633	15	3000	28424	21	4000	50532	26	137.90
HC4-3000	5.80	2000	2527	12	3000	5685	18	4600	13366	28	137.90
HC3-3500	11.60	2000	5104	12	3000	11483	18	3500	15630	21	137.90
HL4-3000	5.80	2000	2527	12	3000	5685	18	4600	13366	28	137.90
HL3-3500	11.60	2000	5104	12	3000	11483	18	3500	15630	21	137.90



COUGAR
INDUSTRIES, INC.

3600 Cougar Drive,
Peru, Illinois 61354-9336

Toll Free: 800-262-2106
Phone: 815-224-1200
Fax: 815-224-1241

www.cougarindustries.com

Form TB-HYD-001b