

5000 Series Piston

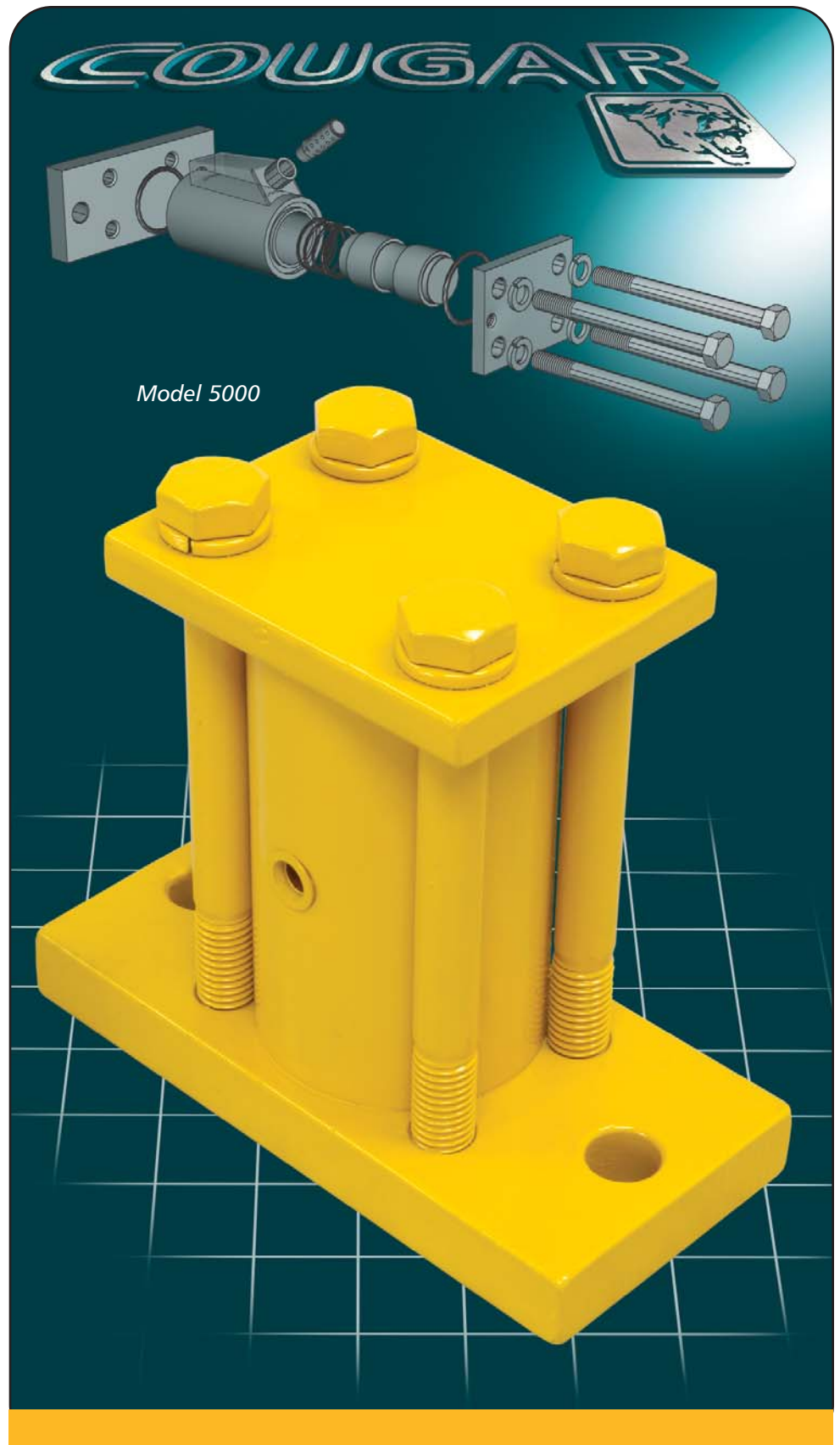
FEATURES:

- Alloy steel bodies.
- Hardened pistons.
- Moly coated pistons
*for long operational life
and low maintenance.*
- Low air consumption.
- Produces uniform
directional force.
- No lubrication
required.
- Optional
 - *internal spring for
positive starting.*
 - *manifold/muffler for
quiet operation.*
 - *air cushioned non-
impacting.*
 - *universal mount.*
 - *high temperature
to 400°F.*

Specify Cougar for:

- Cost effective
solutions.
- Expert technical
assistance.
- Complete service
and support.

*For the specifications on 5000
Series Pistons see our technical
bulletin TB-5000-001a (Inch) or
TB-5000-001b (Metric)*



COUGAR[®]
INDUSTRIES, INC.

3600 Cougar Drive,
Peru, Illinois 61354-9336

www.cougarindustries.com

Toll Free: 800-262-2106
Phone: 815-224-1200
Fax: 815-224-1241

Form SB-5000-001